

ART 745-A MK4

ACTIVE TWO-WAY SPEAKER

DESCRIPTION

The ART 745-A MK4 is the flagship speaker in its category. The titanium dome, 4.0" voice coil neodymium compression driver offers a unique vocal clarity and sound projection. The 15" neodymium woofer offers an extremely linear response and a precise, deep low frequency control. The transducers are produced using the most advanced assembly technologies. The amplifier delivers 1400 watts and is controlled by a DSP that takes care of crossover, equalisation, phase control, soft limiting and speaker protections



FEATURES

- 133 dB Max SPL
- 1400 WATT 2-way peak power
- Innovative DSP Processing
- 1.4" Titanium Compression Driver, 4.0" v.c. Neodimium
- 15" Neodimium Woofer
- 650 Hz crossover point for perfect vocal reproduction
- 90°x60°, wide dispersion constant directivity horn
- FiRPHASE Technology

TECHNICAL SPECIFICATIONS

Acoustical specifications	Frequency Response:	45 Hz ÷ 20000 Hz
	Max SPL @ 1m:	133 dB
	Horizontal coverage angle:	90°
	Vertical coverage angle:	60°
Transducers	Compression Driver:	1 x 1.4" neo, 4.0" v.c
	Woofers:	15" neo, 3.5" v.c
Input/Output section	Input signal:	bal/unbal
	Input connectors:	XLR, Jack
	Output connectors:	XLR
	Input sensitivity:	-2 dBu/+4 dBu
	Mic. Input Sensitivity:	-32 dBu
Processor section	Crossover Frequencies:	650 Hz
	Protections:	Thermal, RMS
	Limiter:	Soft Limiter
	Controls:	Volume, Boost, Mic/Line
Power section	Total Power:	1400 W Peak, 700 W RMS
	High frequencies:	400 W Peak, 200 W RMS
	Low frequencies:	1000 W Peak, 500 W RMS
	Cooling:	Convection
	Connections:	VDE
Standard compliance	Safety agency:	CE compliant
Physical specifications	Cabinet/Case Material:	PP Composite
	Hardware:	2 x M10
	Handles:	1 Top, 2 Side
	Pole mount/Cap:	Yes
	Grille:	Steel
	Color:	Black
Size	Height:	708 mm / 27.87 inches
	Width:	437 mm / 17.2 inches
	Depth:	389 mm / 15.31 inches
	Weight:	18.8 kg / 41.45 lbs
Shipping information	Package Height:	750 mm / 29.53 inches
	Package Width:	500 mm / 19.69 inches
	Package Depth:	440 mm / 17.32 inches
	Package Weight:	22 kg / 48.5 lbs



PART NUMBER

• **13000531**

ART 745-A MK4

115V

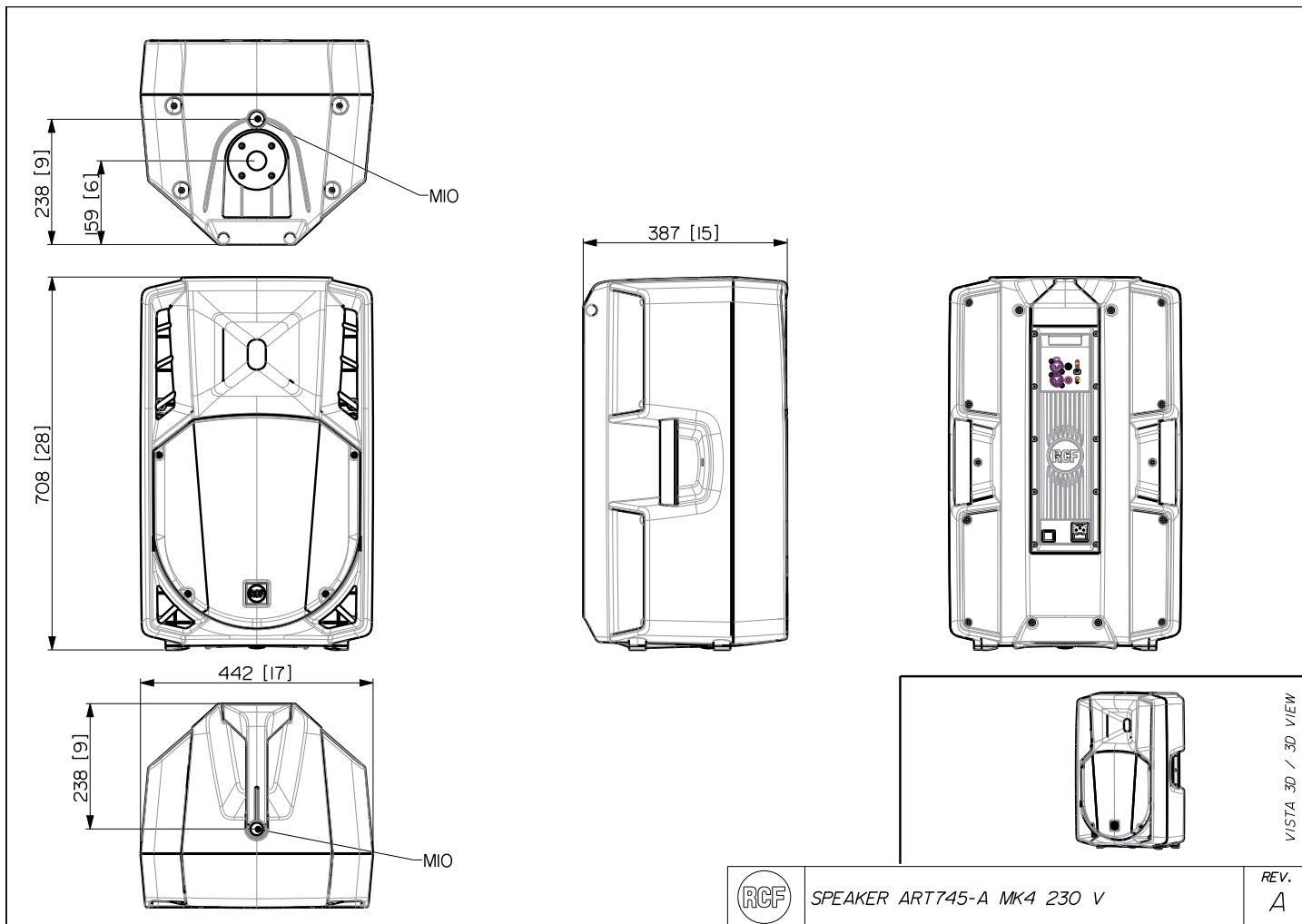
EAN 8024530015053

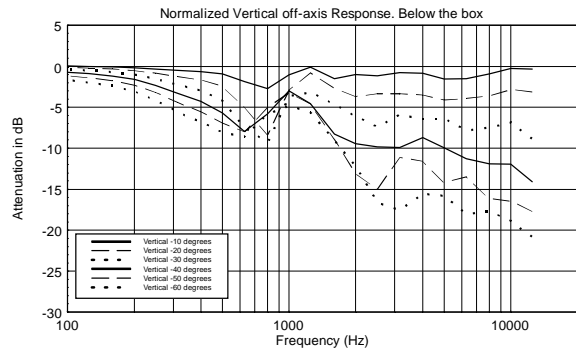
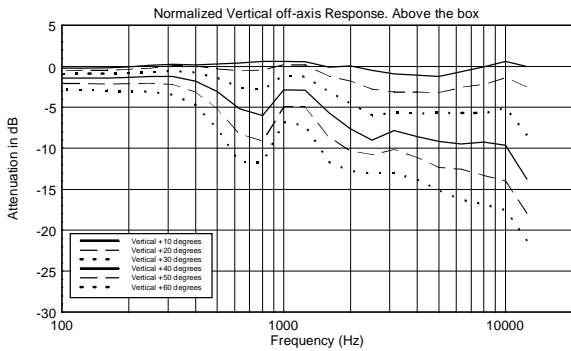
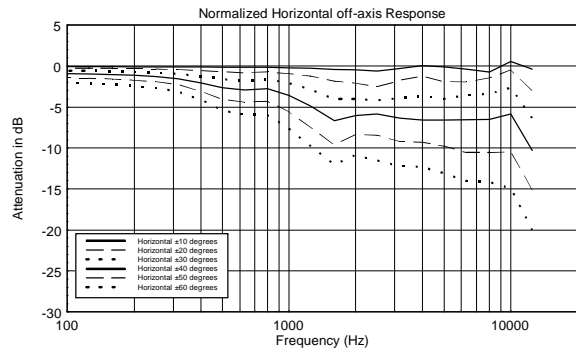
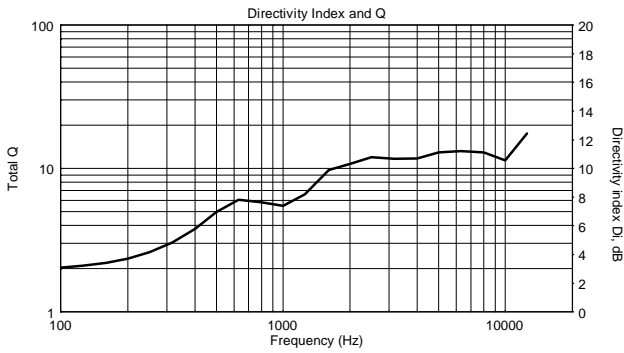
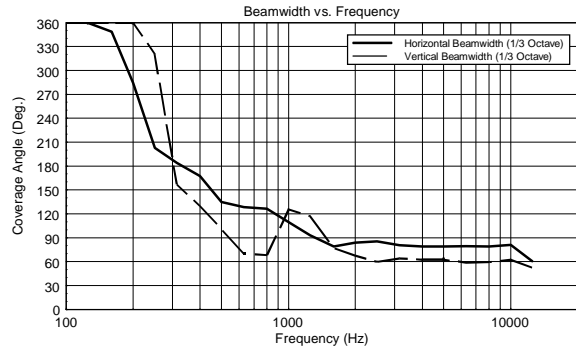
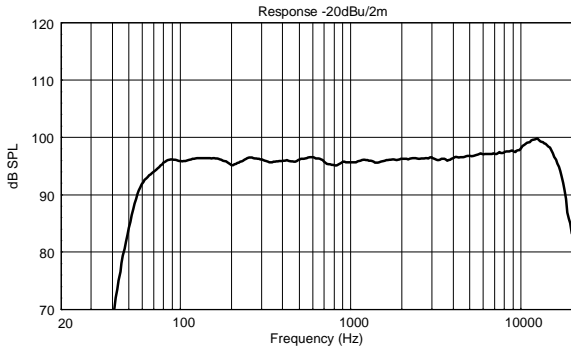
• **13000530**

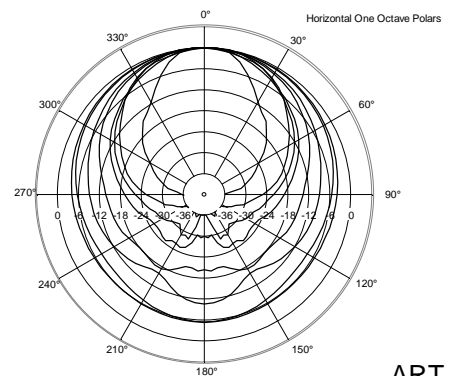
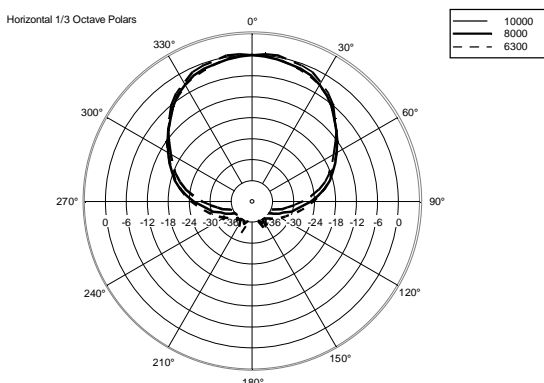
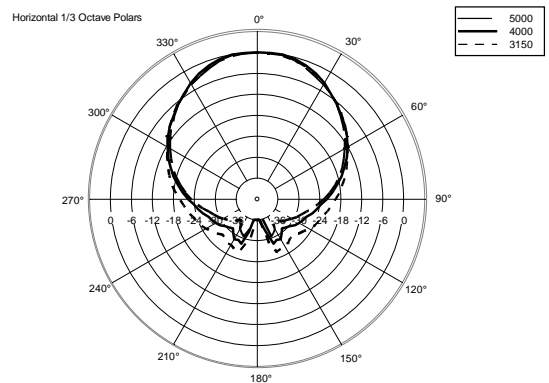
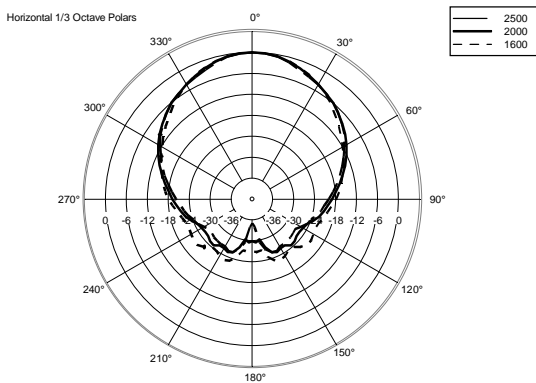
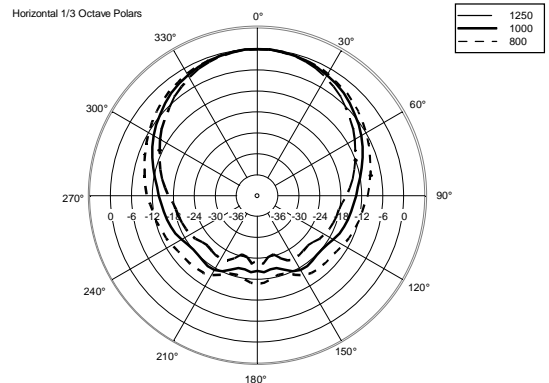
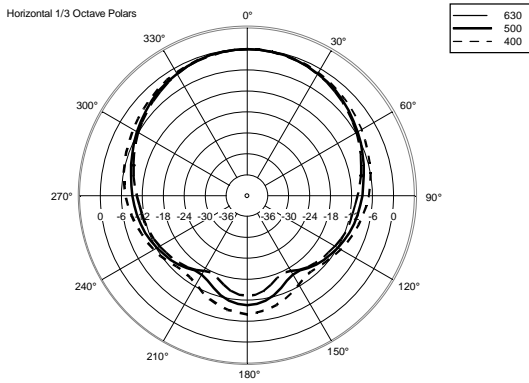
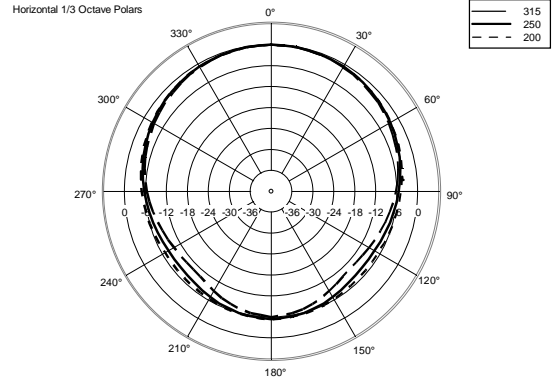
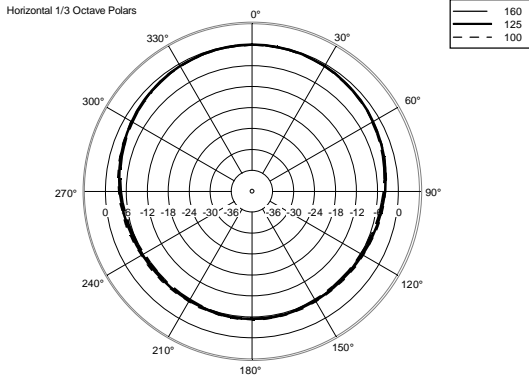
ART 745-A MK4

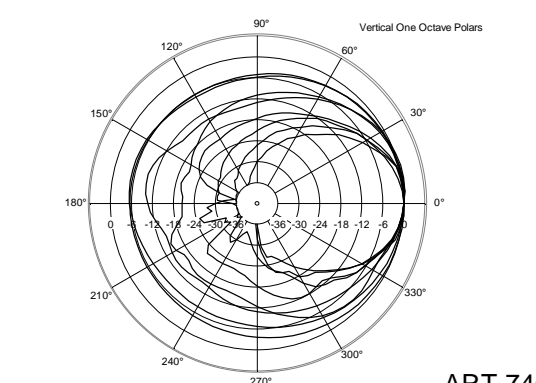
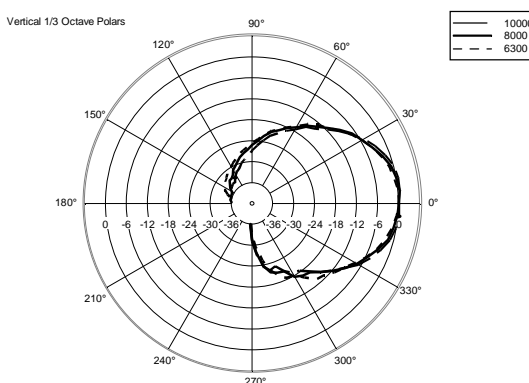
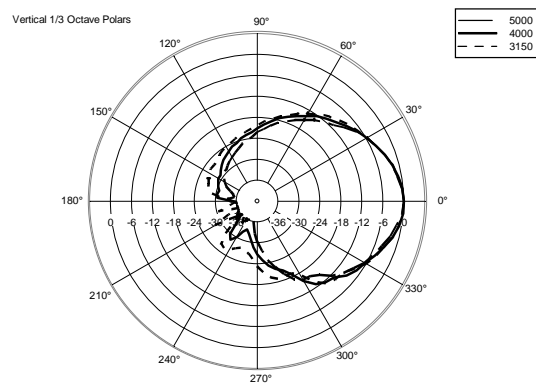
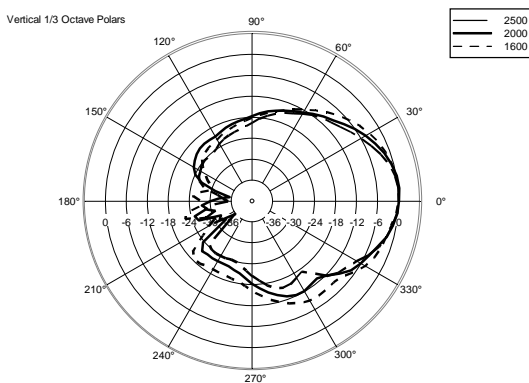
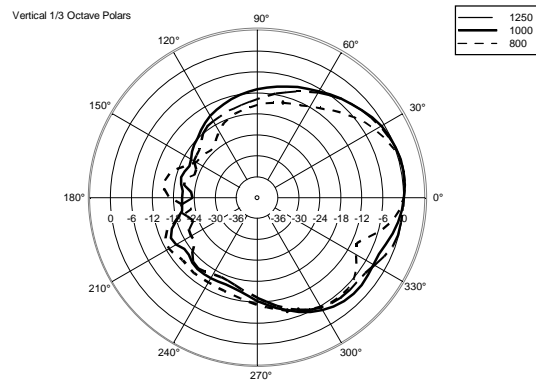
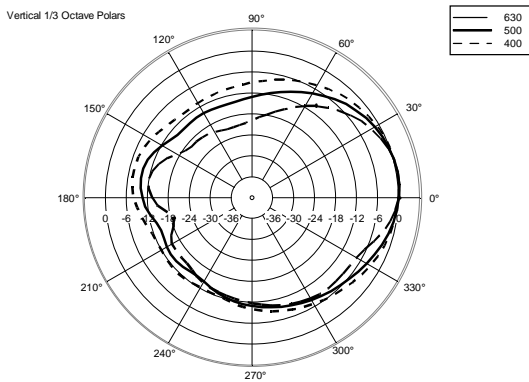
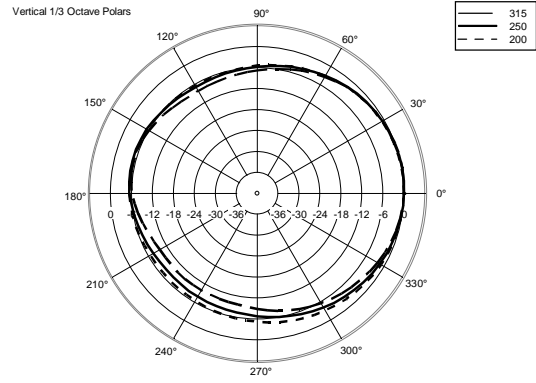
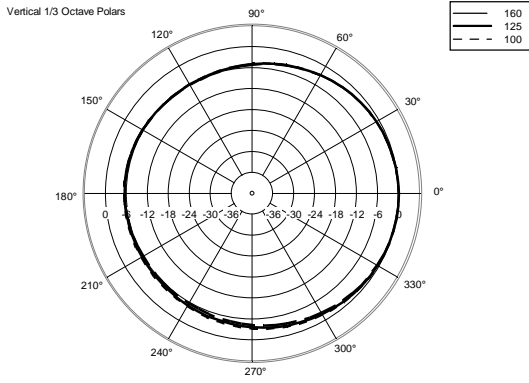
220-240V

EAN 8024530014933









ACCESSORIES

AC PM-M20

PART NUMBER **13360067**
EAN: 8024530014599

AC PMX POLE MOUNT M20

PART NUMBER **13360232**
EAN: 8024530010058

AC PRO-FS PROFESS. LOCKING FLOOR STAND

PART NUMBER **13360109**
EAN: 8024530006471

AC PRO-PM PROFESS. LOCKING POLE MOUNT

PART NUMBER **13360110**
EAN: 8024530006488

COVER CVR ART 725

PART NUMBER **13360115**
EAN: 8024530010676

HORIZONTAL BRACKET H-BR 2X ART 715

PART NUMBER **13360105**
EAN: 8024530012939