

DESCRIPTION

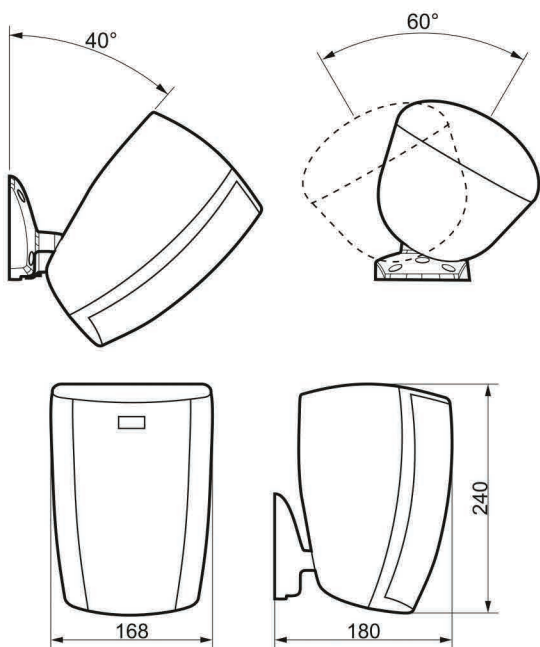
30W two way bass reflex speaker unit

The PROJECT 530, made of ABS with a front metal grille, utilizes a compact two-way system guaranteeing high performances, wide dynamics, high fidelity sound reproduction and high voice intelligibility. These speaker units are equipped with an exclusive fully adjustable support bracket for easy installation, to cut costs and save installation time. The bracket may be attached to the wall prior to installing the loudspeaker and is provided with a safety cable. Connection to the loudspeakers is via plug in "Euroblock" connector and adjustment of loudspeaker output is made via screwdriver adjustable switch.

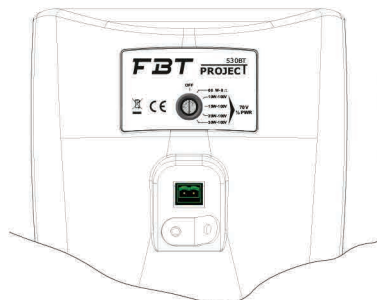
SPECIFICATIONS

Rated power	30W
Adjustable power	30 - 20 - 15 - 10W
Impedance	8 Ohm
Loudspeakers	1 woofer + 1 tweeter (bass-reflex)
Sound pressure SPL (Pnom/1m)	106dB
Sensitivity (1W,1m)	87,5dB
Frequency response	85 ÷ 15.000Hz
Dispersion angle @2kHz	100°
Mounting	Wall mounting bracket (included)
Colour	Project WHT: white RAL 9010 Project BT: black RAL 9005
Dimensions	168 x 240 x 180mm
Weight	2,3kg

DIMENSIONS


PROJECT 530
ABS SPEAKER SYSTEM


POWER SWITCH & EUROBLOCK CONNECTOR



The speaker can be connected to audio lines at constant voltage (100V / 70V) or with constant impedance (8 Ohm)

FREQUENCY RESPONSE

