



# PC-648R/PC-658R SERIES **SPRING CLAMP TYPE CEILING MOUNT SPEAKERS**



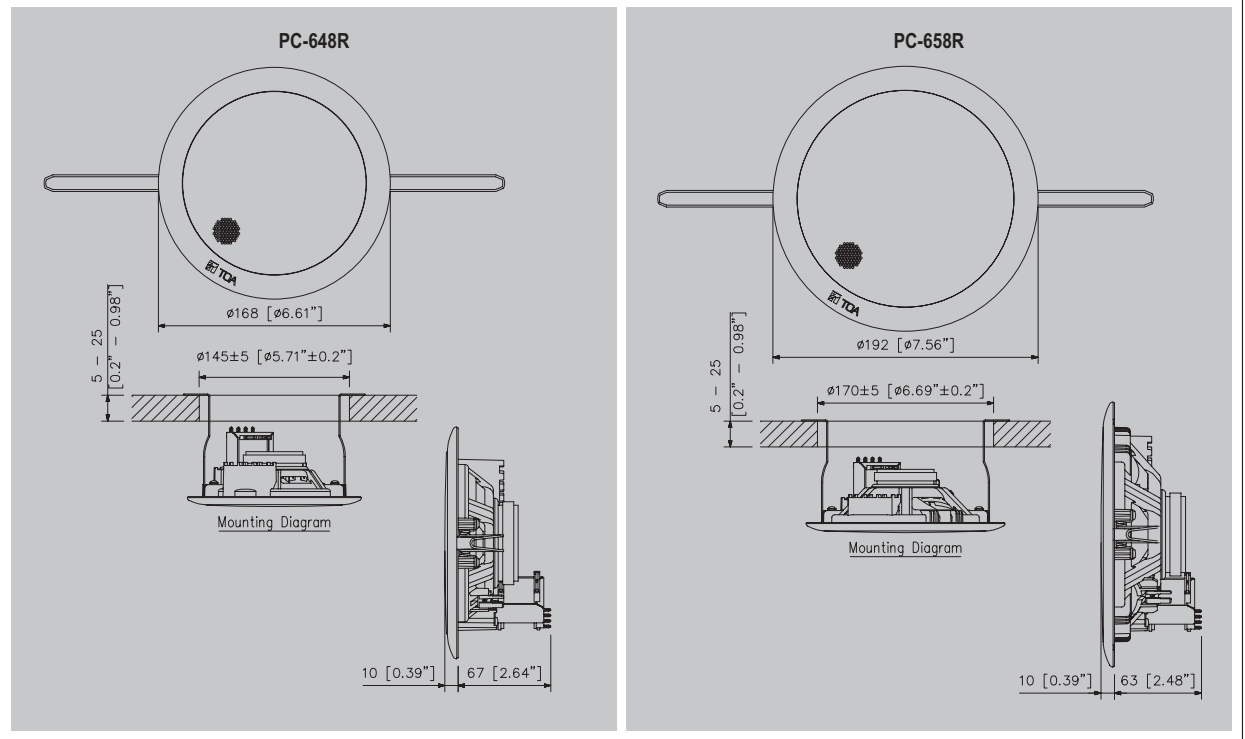
*Cost effective and superbly easy installation*

Integrated with a resin panel and speaker frame, the PC-648R and PC-658R are the ceiling mount speakers with a metal grille attached. They feature spring clamp mechanism for easy speaker mounting to the ceiling. The input impedance can be easily changed by changing the tap position of the transformer.

### Features

- Spring clamp mechanism for easy speaker mounting to the ceiling.
- 12cm (5") cone type (PC-648R)
- 16cm (6") cone type (PC-658R)
- PP Resin, SECC punching Net

### Installation Examples



### Specifications

Model	PC-648R	PC-658R
Rated Input	6W (100V line), 3W (70V line)	
Rated Impedance	100V line: 1.7 kΩ (6W), 3.3kΩ (3W), 10kΩ (1W) 70V line: 1.7kΩ (3W), 3.3kΩ (1.5W), 10kΩ (0.5W)	
Sensitivity	90dB (1W, 1m)	
Frequency Response	100 – 18,000Hz	65– 18,000Hz
Speaker Component	12cm (5") cone-type	16cm (6") cone-type
Dimensions for fixing Hole	Mounting hole: $\phi 145 \pm 5$ mm ( $\phi 5.71'' \pm 0.2''$ ) Ceiling thickness: 5 – 25mm (0.2 – 0.98")	Mounting hole: $\phi 170 \pm 5$ mm ( $\phi 6.69'' \pm 0.2''$ ) Ceiling thickness: 5 – 25mm (0.2 – 0.98")
Speaker Mounting Method	Spring clamp	
Finish	Baffle: Polypropylene resin, off-white paint Grille: Surface-treated steel plate net, off-white paint	
Dimensions	$\phi 168 \times 77$ (D) mm	$\phi 192 \times 73$ (D) mm
Weight	470g	500g
Accessory	Paper pattern …1	



Human society with  
Sound & Communication

TOA Corporation  
www.toa.jp

Specifications are subject to change without notice.  
Printed in Singapore (0706) 833-52-387-10