



NX 912-A

PROFESSIONAL ACTIVE SPEAKER



Description

NX 912-A is masterfully engineered from the ground up to deliver stellar audio performance for solo musicians, bands, and DJs. The combination of 1.75" compression driver, 12" woofer, two-channel 2100W amplifier, and a constant directivity waveguide produces coherent 100° x 60° coverage for the listening area with up to 130 dB SPL of distortion-free sound. Used stand-alone speaker for a FOH system, satellite (with subwoofer), stage monitor, or flown speaker, the NX 912-A blends high-performance and reliability in a compact package. Blending RCF proprietary FIRPHASE and Bass Motion Control DSP processing, NX 9 Series speakers are perfectly tuned for each model, delivering absolute clarity and deep, powerful bass response. The tour-ready, rugged all-wood cabinet is easy to carry and secure to install on a pole-, flown-, wall-, or truss-mounted using the dedicated rigging points available.

Features

- › Up to 130 dB Sound Pressure Level
- › 2100W Class-D Bi-Amplification
- › 50-20000 Hz linear frequency response
- › 1.75" Compression Driver
- › 12" Woofer
- › FIRPHASE zero degrees phase technology
- › Bass Motion Control woofer excursion management

Part Number

13000673 NX 912-A
13000689 NX 912-A

220-240 V
115 V

Black
Black

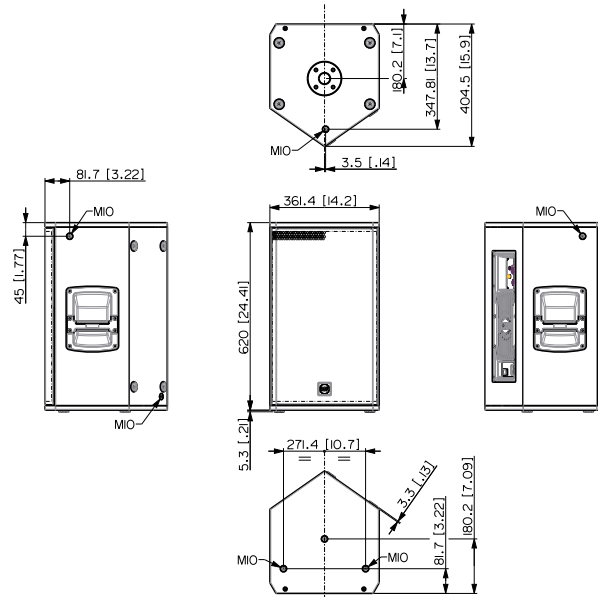
EAN 8024530018962
EAN 8024530019044



NX 912-A

PROFESSIONAL ACTIVE SPEAKER

Line Art 2D



TECHNICAL SPECIFICATIONS

Acoustical specifications	Frequency Response	50 Hz ÷ 20000 Hz
	Max SPL @ 1m	130 dB
	Horizontal coverage angle	100°
	Vertical coverage angle	60°
Transducers	Compression Driver	1 x 1.0", 1.75" v.c
	Woofer	1 x 12", 2.5" v.c
Input/Output section	Input signal	bal/unbal
	Input connectors	XLR, Jack
	Output connectors	XLR
	Input sensitivity	-2 dBu/+4 dBu
Processor section	Crossover Frequencies	1600 Hz
	Protections	Thermal, RMS
	Limiter	Soft Limiter
	Controls	Linear, Boost, Stage, Volume
Power section	Total Power	2100 W Peak
	High frequencies	700 W Peak
	Low frequencies	1400 W Peak
	Cooling	Convection
	Connections	VDE
	Safety agency	CE compliant
Standard compliance	Safety agency	CE compliant
	Hardware	2 x M10 Top, 1 x M10 each side, 1 x M10 bottom, 1 x M10 rear
	Handles	1 x Side
	Pole mount/Cap	Yes
Physical specifications	Color	Black
	Size	
Size	Height	620 mm / 24.41 inches
	Width	362 mm / 14.25 inches
	Depth	405 mm / 15.94 inches
	Weight	20.8 kg / 45.86 lbs



NX 912-A

PROFESSIONAL ACTIVE SPEAKER

ACCESSORIES

Cables	AC XLR 3M3F	13360102	8024530006402
Protections	CVR NX 912	13360496	8024530019495
Rigging / Mounting	2X PLATE H-BR NX 910-912-915	13360506	8024530020057
	AC EB 4X	13360031	8024530018870
	AC PMX	13360232	8024530010058
	AC PRO-FS	13360109	8024530006471
	AC PRO-PM	13360110	8024530006488
	PM-KIT M20	13360067	8024530014599