



NX 932-A

PROFESSIONAL ACTIVE SPEAKER



Description

NX 932-A is masterfully engineered from the ground up to deliver stellar audio performance for sound providers, small bands and DJs. The combination of a 3" titanium/neodymium compression driver, 12" woofer - two-channel 2,100W amplifier, and the constant directivity True Resistive Waveguide produces coherent 100° x 70° coverage for the listening area with up to 132 dB SPL, distortion-free sound. Used as a stand-alone speaker for a FOH system, satellite (with subwoofer), stage monitor, or flown speaker, the NX 932-A blends high performance and reliability in a compact package. Merging RCF proprietary FIRPHASE and Bass Motion Control DSP processing, perfectly tuned for each model, the audience will experience absolute sound clarity and deep, powerful bass response. The tour-ready, rugged all-wood cabinet is easy to carry and secure to install on a pole-, flown-, wall-, or truss-mounted using the dedicated rigging points available.

Features

- › Up to 132 dB Sound Pressure Level
- › 2100W Class-D Bi-Amplification
- › 45-20000 Hz linear frequency response
- › 3" Titanium/Neodymium Compression Driver
- › 12" Woofer
- › FIRPHASE zero degrees phase technology
- › Bass Motion Control woofer excursion management
- › Six M10 and four Quick Lock rigging points

Part Number

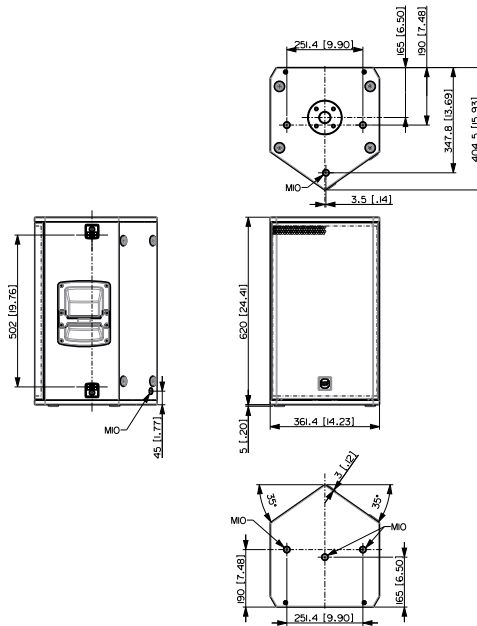
13000766 NX 932-A	220-240 V	Black	EAN 8024530021115
13000767 NX 932-A	100-120 V	Black	EAN 8024530021290
13000873 NX 932-A W	100-120 V	White	EAN 8024530021870
13000874 NX 932-A W	220-240 V	White	EAN 8024530022020



NX 932-A

PROFESSIONAL ACTIVE SPEAKER

Line Art 2D



TECHNICAL SPECIFICATIONS

Acoustical specifications	Frequency Response	45 Hz ÷ 20000 Hz
	Max SPL @ 1m	132 dB
	Horizontal coverage angle	100°
	Vertical coverage angle	70°
Transducers	Compression Driver	1 x 1.4" neo, 3.0" v.c
	Woofer	1 x 12", 2.5" v.c
Input/Output section	Input signal	bal/unbal
	Input connectors	Combo XLR/Jack
	Output connectors	XLR
Processor section	Input sensitivity	-2 dBu/+4 dBu
	Crossover Frequencies	700Hz
	Protections	Thermal, RMS
Power section	Limiter	Soft Limiter
	Controls	Linear, Boost, Stage, Volume
	Total Power	2100 W Peak
	High frequencies	700 W Peak
Standard compliance	Low frequencies	1400 W Peak
	Cooling	Convection
	Connections	Powercon TRUE1 TOP IN/OUT
	Safety agency	CE compliant
Physical specifications	Hardware	2 x M10 Top, 1 x M10 each side, 1 x M10 bottom, 1 x M10 rear 2 each side quick lock pin seat
	Handles	1 x Side
Size	Pole mount/Cap	Yes
	Color	Black, White
	Height	620 mm / 24.41 inches
	Width	362 mm / 14.25 inches
	Depth	405 mm / 15.94 inches
	Weight	22.9 kg / 50.49 lbs



NX 932-A

PROFESSIONAL ACTIVE SPEAKER

ACCESSORIES

Protections	CVR NX 912	13360496	8024530019495
	RP 001	13360515	8024530020460
Rigging / Mounting	2X PLATE H-BR NX 910-912-915	13360506	8024530020057
	AC EB 4X	13360031	8024530018870
	AC PMX	13360232	8024530010058
	AC PRO-FS	13360109	8024530006471
	AC PRO-PM	13360110	8024530006488
	PM-KIT M20	13360067	8024530014599
	V-BR TT 22 II	13360328	8024530013332