

HDL 50-A 4K

ACTIVE THREE-WAY LINE ARRAY MODULE

DESCRIPTION

The HDL 50-A 4K is an active 3-way line array module for large-sized events, indoors and outdoors. It features a sound pressure level of 143 dB SPL with a built-in 8000 W PEAK, 4000W RMS Class-D four-channel amplifier. Equipped with eight best-of-class transducers, it offers excellent playback quality ideal for professional musical applications. The proprietary 90 x 10 degrees 4PATH waveguide with the symmetrical design of the cabinet delivers optimal coverage.



FEATURES

- 8000 Watt power, 4 x onboard amplifiers
- 143 dB max SPL
- RDNet networked management and monitoring
- 48 kHz, 32 bit DSP processing
- 2 x 12" neodymium woofers
- 2 x 3" titanium dome neodymium compression drivers
- Remarkably compact and lightweight

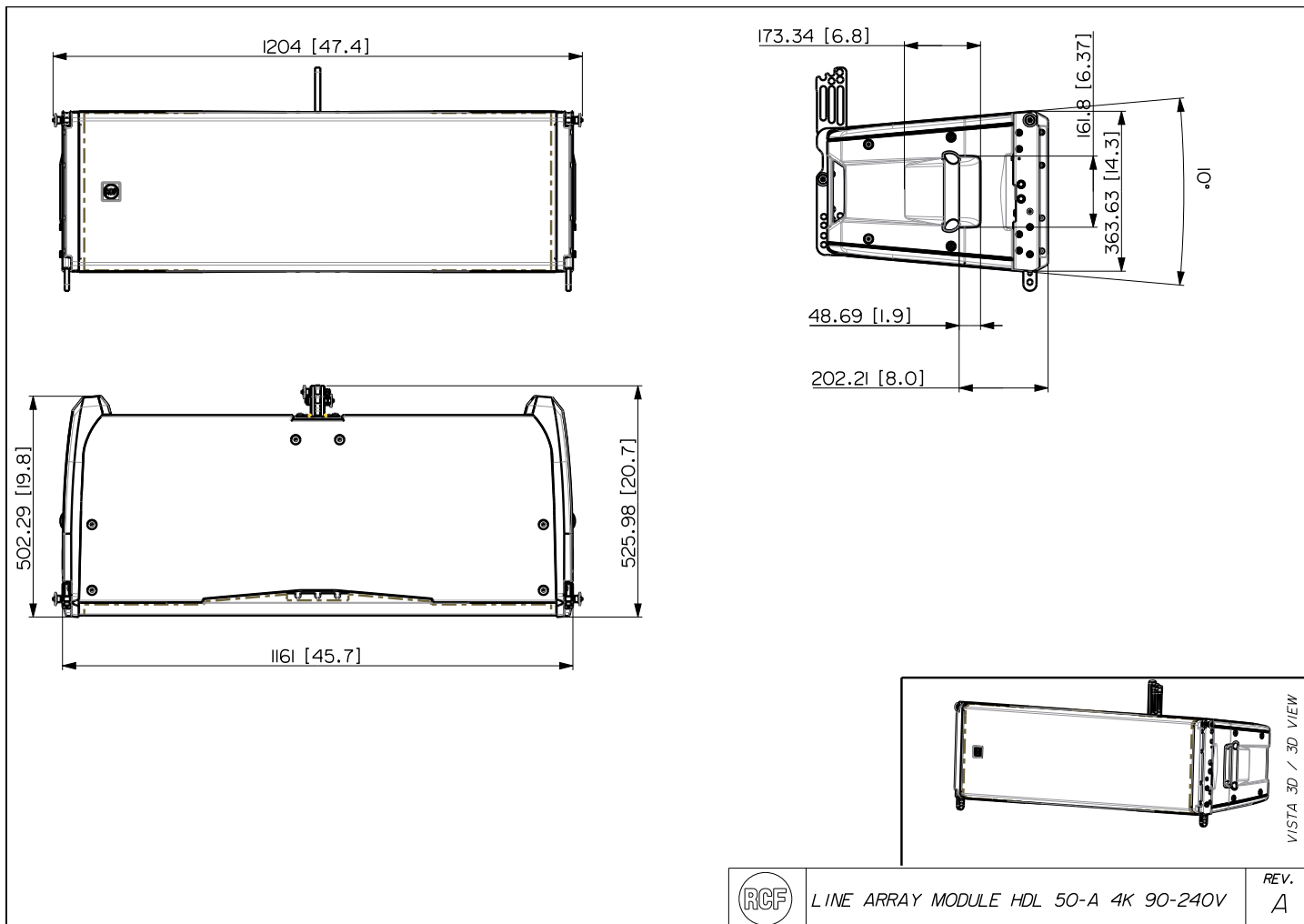
TECHNICAL SPECIFICATIONS

Acoustical specifications	Frequency Response:	40 Hz ÷ 20000 Hz
	Max SPL @ 1m:	143 dB
	Horizontal coverage angle:	90°
	Vertical coverage angle:	10°
Transducers	Compression Driver:	2 x 1.4" neo, 3.0" v.c
	Midrange:	4 x 6.0" neo, 2.0" v.c
	Woofer:	2 x 12" neo, 3.0" v.c
Input/Output section	Input signal:	bal/unbal
	Input connectors:	XLR, RDNet Ethercon
	Output connectors:	XLR, RDNet Ethercon
	Input sensitivity:	+4 dBu
Processor section	Crossover Frequencies:	200 Hz - 800 Hz
	Protections:	Thermal, RMS
	Limiter:	Soft Limiter
	Controls:	Cluster size, HF correction, RDNET
Power section	Total Power:	8000 W Peak, 4000 W RMS
	High frequencies:	2000 W Peak, 1000 W RMS
	Mid frequencies:	2000 W Peak, 1000 W RMS
	Low frequencies:	4000 W Peak, 2000 W RMS
	Cooling:	Convection
	Connections:	Powercon IN/OUT
Standard compliance	CE marking:	Yes
Physical specifications	Cabinet/Case Material:	Baltic birch plywood
	Hardware:	Integrated Mechanics
	Handles:	2 side, 2 rear
	Grille:	Steel
	Color:	Black
Size	Height:	366 mm / 14.41 inches
	Width:	1171 mm / 46.1 inches
	Depth:	502 mm / 19.76 inches
	Weight:	58.4 kg / 128.75 lbs
Shipping informations	Package Height:	400 mm / 15.75 inches
	Package Width:	1200 mm / 47.24 inches
	Package Depth:	600 mm / 23.62 inches
	Package Weight:	62.4 kg / 137.57 lbs



PART NUMBER

- **13000641**
HDL 50-A 4K
90-240V
EAN 8024530017736



ACCESSORIES

AC 2X AZIMUT PLATE

PART NUMBER **13360351**
EAN: 8024530013516



AC POWER CABLE 6X TTL55

PART NUMBER **13360138**
EAN:



CABLES KIT CBL ETHERCON 0.7M

PART NUMBER **12399016**
EAN: 8024530013844



CABLES KIT CBL ETHERCON 1.5M

PART NUMBER **12399017**
EAN: 8024530013851



CABLES KIT CBL ETHERCON 3M

PART NUMBER **12399035**
EAN: 8024530013868



CABLES KIT CBL ETHERCON 5M

PART NUMBER **12399018**
EAN: 8024530013875



CABLES KIT CBL ETHERCON TO XLR F 0.2M

PART NUMBER **12399019**
EAN: 8024530013882



CABLES KIT CBL ETHERCON TO XLR M 0.2M

PART NUMBER **12399020**
EAN: 8024530013899



CABLES KIT CBL LK 25 MULTIPIN 10M

PART NUMBER **12399023**
EAN: 8024530013837



CABLES KIT CBL LK 25 MULTIPIN 20M

PART NUMBER **12399022**
EAN: 8024530013820



CABLES KIT CBL LKS 19 ARRAY FANOUT

PART NUMBER **12399024**
EAN: 8024530013905



CABLES KIT CBL LKS 19 BREAKOUT

PART NUMBER **12399026**
EAN: 8024530013929



CABLES KIT CBL LKS 19 POWER 10M

PART NUMBER **12399027**
EAN: 8024530013936



CABLES KIT CBL LKS 19 SUB FANOUT

PART NUMBER **12399025**
EAN: 8024530013912



CABLES KIT CBL LKS 25-2 FANOUT

PART NUMBER **12399021**
EAN: 8024530013813



CABLES KIT CBL POWER BOX 6X

PART NUMBER **13360145**
EAN: 8024530015534



CABLES KIT CBL POWERCON LINK 0.7M

PART NUMBER **12399031**
EAN: 8024530013738



CABLES KIT CBL POWERCON LINK 1.5M

PART NUMBER **12399030**
EAN: 8024530013721



CABLES KIT CBL POWERCON LINK 10M

PART NUMBER **12399028**
EAN: 8024530013707



CABLES KIT CBL POWERCON LINK 5M

PART NUMBER **12399029**
EAN: 8024530013714



COVER CVR 4X HDL 50

PART NUMBER **13360338**
EAN: 8024530013554



FLY BAR FL-B HDL 50

PART NUMBER **13360334**
EAN: 8024530013240



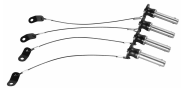
KART WITH WHEELS 4 X HDL 50-A

PART NUMBER **13360336**
EAN: 8024530013271



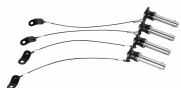
LKS 19-20 POWER CABLE

PART NUMBER **13360146**
EAN: 8024530013943



PINS KIT HDL 50-A 4F

PART NUMBER **13360335**
EAN: 8024530013257



QUICK LOCK PINS KIT 4R

PART NUMBER **13360340**
EAN: 8024530013264



RAIN PROTECTION RP 1X HDL 50

PART NUMBER **13360337**
EAN: 8024530013288