



HDL 28-A

ACTIVE TWO-WAY LINE ARRAY MODULE



Description

The RCF HDL 28-A is a compact bi-amped 2-way active touring system for a wide range of applications, both indoors and outdoors, with an emphasis on vocal intelligibility. It features two 8-inch woofers and an impressive 3-inch titanium compression driver. The time coherent waveguide is the result of in-depth research and design. Following the HDL 30-A philosophy, the HDL 28-A shares the composite material cabinet, the zero-degree phase and ultra-linear amplitude response. The built-in 2200 watt class-D amplifier delivers excellent playback clarity and up to 135 decibels SPL max. The RCF HDL28-A features state of the art RCF transducers with lightweight neodymium magnets. Considering its acoustical power, it has a remarkably low weight for easy handling and flying.

The HDL 36-AS is the ideal flyable bass complement for the HDL 28-A array system.

Features

- › 2200W Two Way Amplifier
- › 135 dB Max SPL
- › 48 kHz, 32 bit DSP processing
- › RDNet Networked Management
- › 2 x 8" Neodymium Woofers, 2.5" voice coil
- › 1.4" Titanium Compression Driver, 3.0" voice coil
- › Exclusive FIRPHASE technology on-board
- › 750 Hz Crossover Point

Part Number

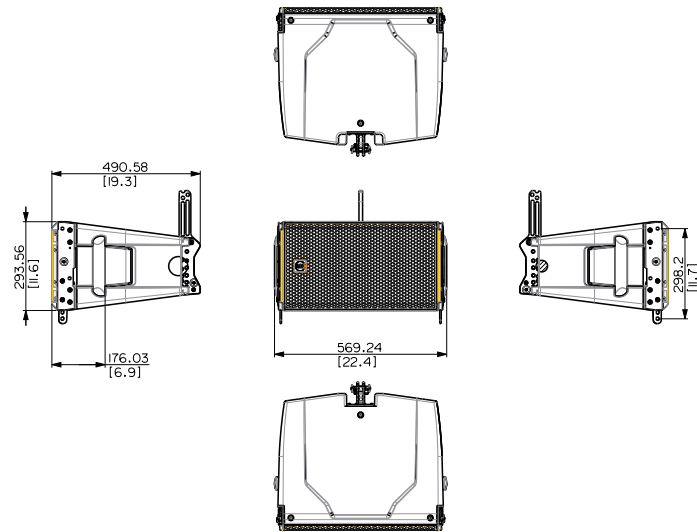
13000579 HDL 28-A	90-240 V	Black	EAN 8024530016500
13000605 HDL 28-A W	90-240 V	White	EAN 8024530017316



HDL 28-A

ACTIVE TWO-WAY LINE ARRAY MODULE

Line Art 2D



TECHNICAL SPECIFICATIONS

Acoustical specifications	Frequency Response	50 Hz ÷ 20000 Hz
	Max SPL @ 1m	135 dB
	Horizontal coverage angle	100°
	Vertical coverage angle	15°
Transducers	Compression Driver	1 x 1.4" neo, 3.0" v.c
	Woofer	2 x 8" neo, 2.5" v.c
Input/Output section	Input signal	bal/unbal
	Input connectors	XLR, RDNet Ethercon
	Output connectors	XLR, RDNet Ethercon
	Input sensitivity	+4 dBu
Processor section	Crossover Frequencies	750 Hz
	Protections	Thermal, RMS
	Limiter	Soft Limiter
	Controls	Preset, RDNet bypass
Power section	RDNet	Yes
	Total Power	2200 W Peak, 1100 W RMS
	High frequencies	600 W Peak, 300 W RMS
	Low frequencies	1600 W Peak, 800 W RMS
Standard compliance	Cooling	Forced
	Connections	Powercon IN/OUT
	Safety agency	CE compliant
	Physical specifications	Cabinet/Case Material
Size	Hardware	Array fittings
	Handles	2 Side
	Grille	Steel
	Color	Black, White
	Height	294 mm / 11.57 inches
	Width	569 mm / 22.4 inches
Depth	491 mm / 19.33 inches	
Weight	20.6 kg / 45.42 lbs	



HDL 28-A

ACTIVE TWO-WAY LINE ARRAY MODULE

	ACCESSORIES			
Cables	AC XLR 3M3F	13360102	8024530006402	
	CBL ETHERCON 0.7M	12399016	8024530013844	
	CBL ETHERCON 1.5M	12399017	8024530013851	
	CBL ETHERCON 3M	12399035	8024530013868	
	CBL ETHERCON 5M	12399018	8024530013875	
	CBL ETHERCON TO XLR F 0.2M	12399019	8024530013882	
	CBL ETHERCON TO XLR M 0.2M	12399020	8024530013899	
	CBL LK 25 MULTIPIN 10M	12399023	8024530013837	
	CBL LK 25 MULTIPIN 20M	12399022	8024530013820	
	CBL LKS 19 ARRAY FANOUT	12399024	8024530013905	
	CBL LKS 19 BREAKOUT	12399026	8024530013929	
	CBL LKS 19 POWER 10M	12399027	8024530013936	
	CBL LKS 19 POWER 20M	13360146	8024530013943	
	CBL LKS 19 SUB FANOUT	12399025	8024530013912	
	CBL LKS 25-2 FANOUT	12399021	8024530013813	
	CBL POWER BOX 6X	13360145	8024530015534	
	CBL POWERCON LINK 0.7M	12399031	8024530013738	
	CBL POWERCON LINK 1.5M	12399030	8024530013721	
	CBL POWERCON LINK 10M	12399028	8024530013707	
	CBL POWERCON LINK 5M	12399029	8024530013714	
	POWER CABLE X6 TTL 55-A	13360138		
	Protections	CVR 4X HDL 28	13360422	8024530016265
		RP 1X HDL 30	13360388	8024530015138
Rigging / Mounting	AZM-BR 2X	13360351	8024530013516	
	FL-B HDL 28	13360411	8024530016258	
	FL-B PK HDL 30	13360394	8024530015220	
	HOIST SPACING CHAIN CH 001	13360129	8024530020774	
	QL-PIN 008	13360626	8024530020897	
	QL-PIN 009	13360627	8024530020903	
	QL-PIN 011	13360634	8024530022433	
Transportation	KRT-WH 4X HDL 28	13360412	8024530016241	