



HDL 6-A

ACTIVE LINE ARRAY MODULE



Description The HDL6-A is the ideal choice when line array performance is needed and a fast and easy set-up a must. A 1400 W 2-channel class-D amplifier powers the system. A powerful DSP processes the sound including crossover, phase correction, limiting and protection. The system features state-of-the-art RCF transducers - two powerful 6.0" woofers for a solid bass reproduction plus a high powered 1.7" voice coil compression driver mounted on a precise 100° x 10° waveguide delivers vocal clarity with high definition and an incredible dynamic.

The HDL 12-AS is the ideal flyable bass complement for the HDL 6-A array system.

- Features**
- > 1400 W, two-way amplification
 - > 131 dB max SPL
 - > 1.7" voice coil neodymium compression driver
 - > 2 x high power neodymium 6.0" woofers
 - > 48 kHz, 32 bit floating point DSP processing
 - > Symmetrical design
 - > Extremely low weight
 - > FiRPHASE processing

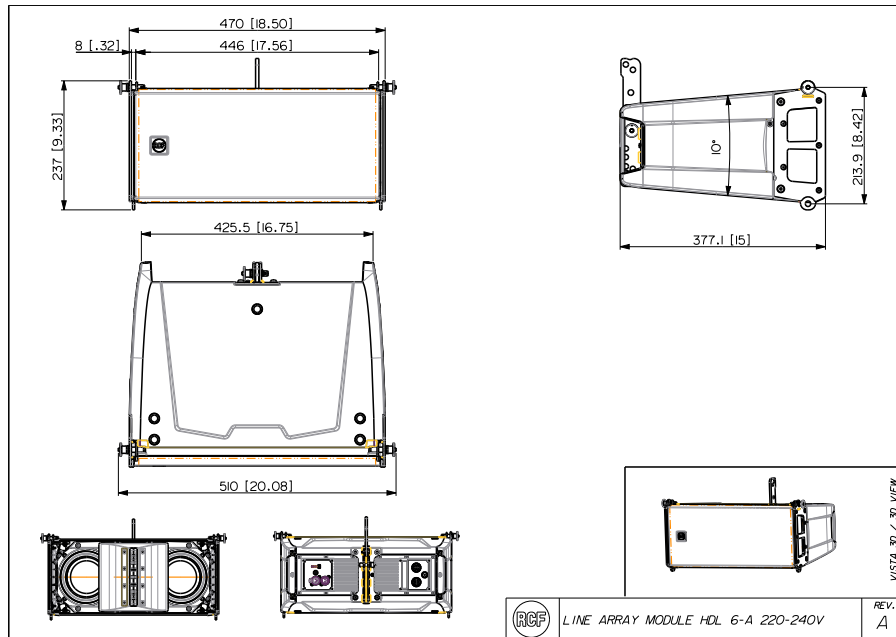
Part Number	Power	Color	EAN
13000496 HDL 6-A	220-240 V	Black	EAN 8024530014476
13000509 HDL 6-A	115 V	Black	EAN 8024530014483
13000514 HDL 6-A W	220-240 V	White	EAN 8024530014773
13000515 HDL 6-A W	115 V	White	EAN 8024530014780



HDL 6-A

ACTIVE LINE ARRAY MODULE

Line Art 2D



TECHNICAL SPECIFICATIONS

Acoustical specifications	Frequency Response	65 Hz ÷ 20000 Hz
	Max SPL @ 1m	131 dB
	Horizontal coverage angle	100°
	Vertical coverage angle	10°
Transducers	Compression Driver	1 x 1.0" neo, 1.75" v.c
	Woofer	2 x 6.0" neo, 2.0" v.c
Input/Output section	Input signal	bal/unbal
	Input connectors	XLR
	Output connectors	XLR
	Input sensitivity	+4 dBu
Processor section	Crossover Frequencies	900 Hz
	Protections	Thermal, RMS
	Limiter	Soft Limiter
	Controls	HF correction
Power section	Total Power	1400 W Peak, 700 W RMS
	High frequencies	400 W Peak, 200 W RMS
	Low frequencies	1000 W Peak, 500 W RMS
	Cooling	Convection
	Connections	Powercon IN/OUT
Standard compliance	Safety agency	CE compliant
Physical specifications	Hardware	Array fittings
	Handles	2 Back
	Color	Black, White
Size	Height	237 mm / 9.33 inches
	Width	470 mm / 18.5 inches
	Depth	377 mm / 14.84 inches
	Weight	11.6 kg / 25.57 lbs



HDL 6-A

ACTIVE LINE ARRAY MODULE

	ACCESSORIES			
Cables	CBL LK 25 MULTIPIN 10M	12399023	8024530013837	
	CBL LK 25 MULTIPIN 20M	12399022	8024530013820	
	CBL LKS 19 ARRAY FANOUT	12399024	8024530013905	
	CBL LKS 19 BREAKOUT	12399026	8024530013929	
	CBL LKS 19 POWER 10M	12399027	8024530013936	
	CBL LKS 19 POWER 20M	13360146	8024530013943	
	CBL LKS 19 SUB FANOUT	12399025	8024530013912	
	CBL LKS 25-2 FANOUT	12399021	8024530013813	
	CBL POWER BOX 6X	13360145	8024530015534	
	CBL POWERCON LINK 0.7M	12399031	8024530013738	
	CBL POWERCON LINK 1.5M	12399030	8024530013721	
	CBL POWERCON LINK 10M	12399028	8024530013707	
	CBL POWERCON LINK 5M	12399029	8024530013714	
	POWER CABLE X6 TTL 55-A	13360138		
	Protections	RP 1X HDL 6	13360381	8024530015169
		Rigging / Mounting	AZM-BR 2X	13360351
CL-BR HDL 6	13360371		8024530014360	
FL-B HDL 6	13360360		8024530014209	
FL-B LINK HDL 6-12 2X	13360375		8024530014414	
FL-B PK HDL 6	13360372		8024530014353	
HOIST SPACING CHAIN CH 001	13360129		8024530020774	
PM-KIT 3X HDL 6	13360377		8024530014629	
QL-PIN 008	13360626		8024530020897	
QL-PIN 011	13360634		8024530022433	
QL-PIN D9.6 L21.3 4X	13360219		8024530015763	
Transportation	KRT-WH 6X HDL 6	13360366	8024530014421	